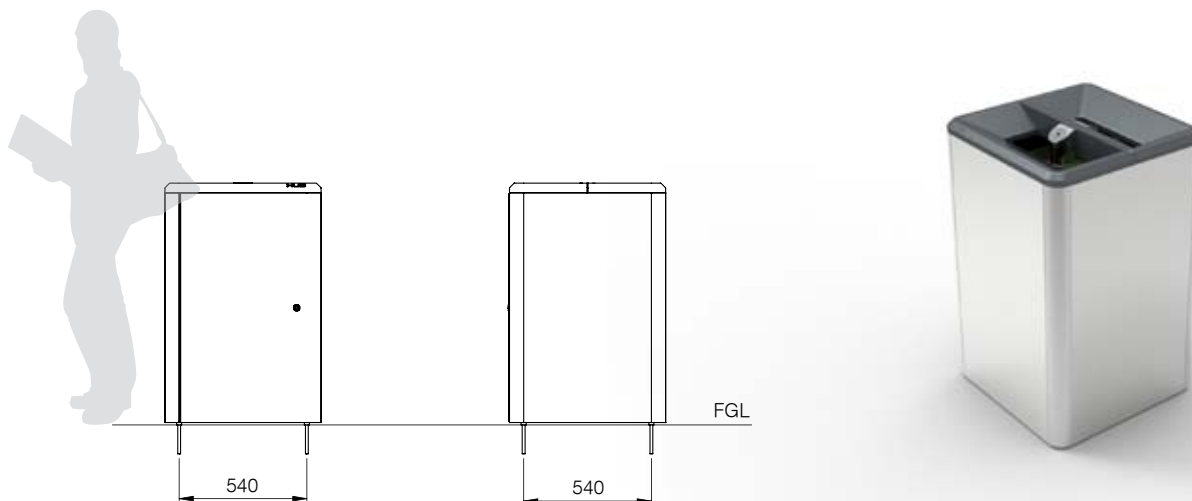


FURNITURE

S503 Bin



Dimensions: Full size: 660mm (l) x 660mm (w) x 1020mm (h),
 Half Size: 335mm (l) x 660mm (w) x 1020mm (h)
 Standard size: Full Size: 120lt, Half Size: 60lt
 Mounting options: Surface, Post or Wall



Components	Material	Grade	Process	Treatment	Finish	Colour
Frame	Aluminium	6063 or equivalent	Extrusion	T5	Powder Coated - Dulux 'Duralloy'	'Silver'
Chute	Aluminium	CC601 or equivalent	Sand Cast	Blasted	Powder Coated - Dulux 'Duralloy'	'Notre Dame'
Fixings	S/S	304				
Lock	1/4 turn cabinet latch, square drive, 316					

	Panels & Door Type A	Panels & Door Type B	Panels & Door Type C	Panels & Door Type D
Material	Mild Steel	S/S sheet - solid	Australian Hardwood	S/S sheet - perforated
Grade	235	304	Select Grade	304
Process	Fabricated	Fabricated	Machined	Fabricated
Treatment	Pre-Galvanised	Linished - #4	DAR	Linished - #4
Finish	Powder Coated - Dulux 'Duralloy'	Electro-polished	Natural oil	Electro-polished
Colour	'Silver'	'Silver'	'Clear'	